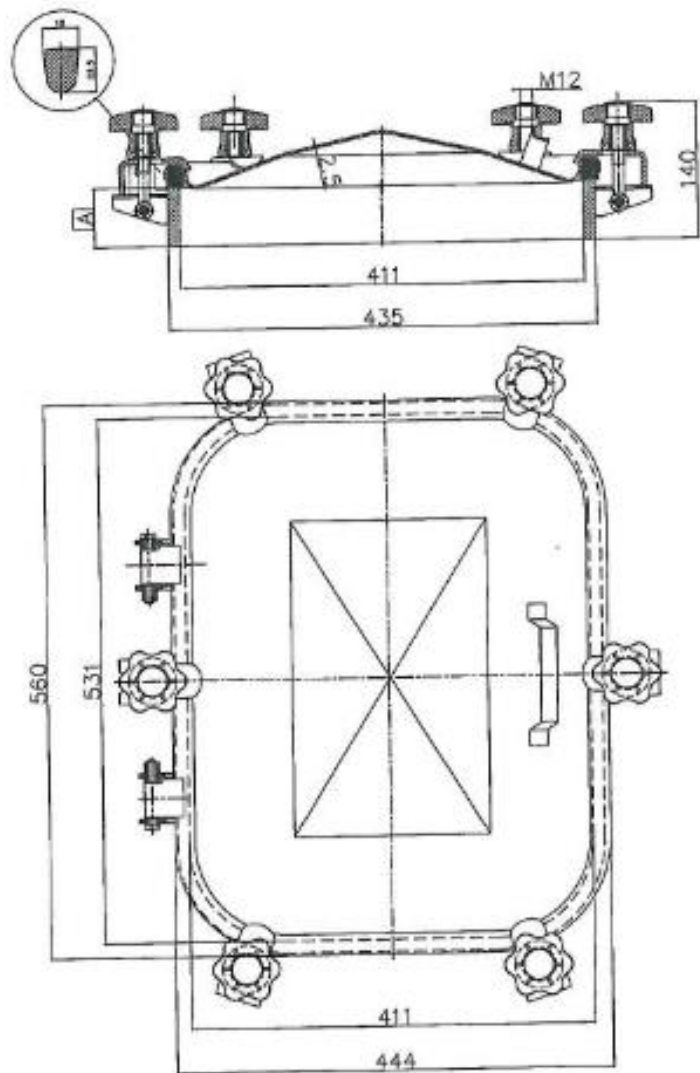


Rectangular Doors

P06-23

Rectangular manhole door in AISI 304 or AISI 316L Stainless Steel
 Access 530 x 410
 Max working pressure: -1.0 / +1.8 Bar
 Standard handwheel: Nylon
 Standard gasket: natural rubber
 Standard finish: Polished cover / satin frame



A	Weight
60 x 8	+/-Kg 15
60 x 10	+/-Kg 17
60 x 12	+/-Kg 19

This Data Sheet refers to the material as supplied. The information contained herein is given in good faith, but no liability will be accepted by the Company in relation to same. We reserve the right to change the details given on this Data Sheet as additional information is acquired. Customers requiring the latest version of this Data Sheet should contact our sales department.

Unit N2, Gildersome Spur, Gildersome, Leeds, LS27 7JZ | Tel: 0113 252 6712 | Email: info@manways.co.uk | www.manways.co.uk